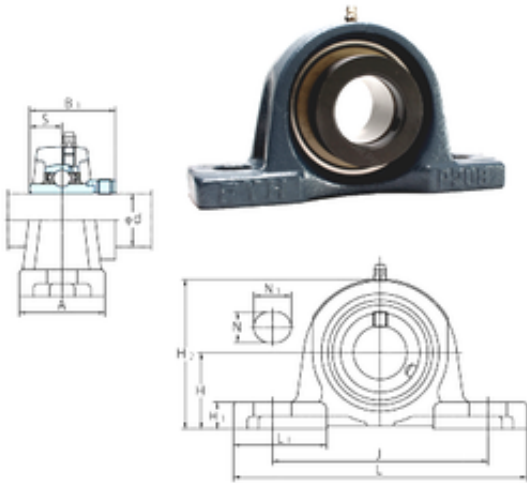


FYH NAP208-24 Bearing unit



NAP208-24 Bearing 2D drawings and 3D CAD models

Bearing No. NAP208-24

Bore Diameter	38,1 mm
Width	49,2 mm
d	38,1 mm
A	54 mm
B1	56,3 mm
H	49,2 mm
H1	17 mm
H2	98 mm
J	137 mm
L	184 mm
L1	57 mm
N	17 mm
N1	21 mm
S	21,4 mm
Bolt (G)	M14
Weight	2,1 Kg
Basic dynamic load rating (C)	29,1 kN