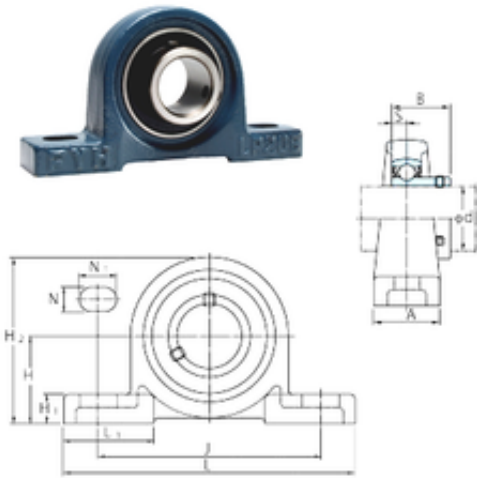


FYH BLP206-18 Bearing unit

Bearing No. BLP206-18



BLP206-18 Bearing 2D drawings and 3D CAD models

Bore Diameter	28,575 mm
Width	30 mm
d	28,575 mm
A	33 mm
B	30 mm
H	42,9 mm
H1	14 mm
H2	83 mm
J	120 mm
L	156 mm
L1	47 mm
N	14 mm
N1	21 mm
S	8 mm
Bolt (G)	M12
Weight	0,69 Kg
Basic dynamic load rating (C)	19,5 kN
Basic static load rating (C0)	11,3 kN