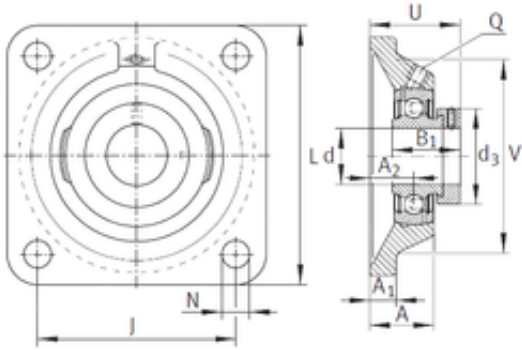


INA PCJ1-1/2 Bearing unit



Bearing No. PCJ1-1/2

Bore Diameter	38,1 mm
d	38,1 mm
V	116,002 mm
U	56,794 mm
Thread (Q)	1/8 NPT
d3	57,988 mm
A	37,998 mm
A1	14,503 mm
B	43,79 mm
J	101,498 mm
L	129,997 mm
N	13,995 mm
A2	24,003 mm

PCJ1-1/2 Bearing 2D drawings and 3D CAD models