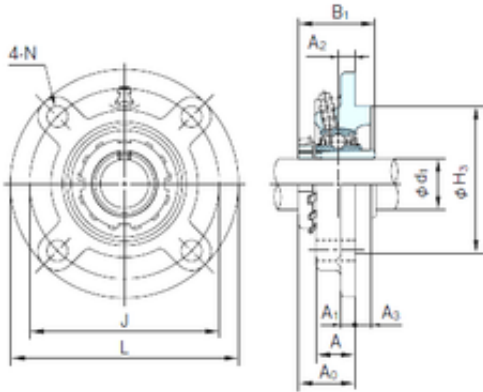


## NACHI UKFCX17+H2317 Bearing unit



Bearing No. UKFCX17+H2317

Bore Diameter	75 mm
d1	75 mm
H3	186 mm
A0	52.5 mm
A	36 mm
A1	19 mm
B1	82 mm
J	219 mm
L	260 mm
N	23 mm
Bolt (G)	M20
A2	10 mm
A3	25 mm

UKFCX17+H2317 Bearing 2D drawings and 3D CAD models