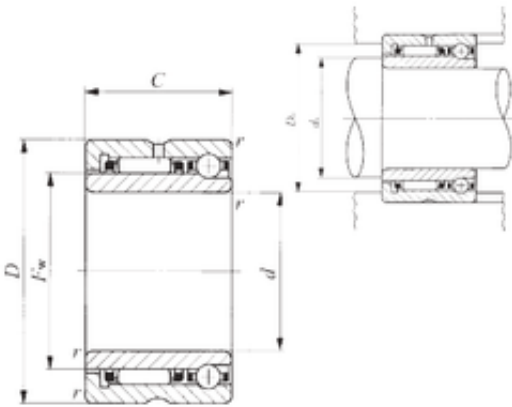


55 mm x 80 mm x 34 mm IKO NATA 5911 Complex bearing unit

Bearing No. NATA 5911



NATA 5911 Bearing 2D drawings and 3D CAD models

Size	55x80x34 mm
Bore Diameter	55 mm
Outer Diameter	80 mm
Width	34 mm
d	55 mm
Fw	63 mm
D	80 mm
B	34 mm
C	34 mm
r min.	1 mm
da min.	60 mm
Da max.	75 mm
Weight	0,585 Kg
Dynamic load rating radial (C)	39,5 kN
Dynamic load rating axial (C)	10,4 kN
Static load rating radial (C0)	74,4 kN
Static load rating axial (C0)	24,7 kN