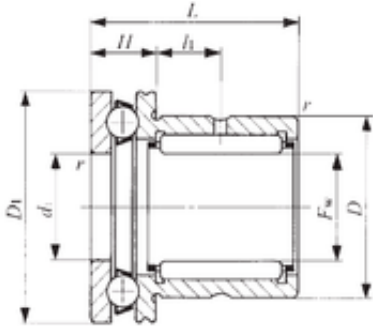


IKO NAX 1523Z Complex bearing unit



Bearing No. NAX 1523Z

Bore Diameter	15 mm
Outer Diameter	24 mm
Fw	15 mm
D	24 mm
D1	28 mm
D2	29 mm
d1	15 mm
r min.	0,3 mm
H	9 mm
L	23 mm
L1	6,5 mm
da min.	23 mm
Weight	0,0485 Kg
Dynamic load rating radial (C)	12,3 kN
Dynamic load rating axial (C)	9,93 kN
Static load rating radial (C0)	14,9 kN
Static load rating axial (C0)	12,2 kN

NAX 1523Z Bearing 2D drawings and 3D CAD models