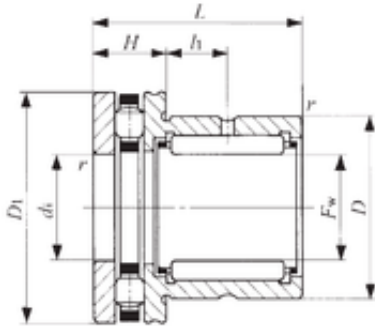


IKO NBX 3030 Complex bearing unit



Bearing No. NBX 3030

Bore Diameter	30 mm
Outer Diameter	42 mm
Fw	30 mm
D	42 mm
D1	47 mm
d1	30 mm
r min.	0,6 mm
H	11 mm
L	30 mm
L1	9,5 mm
da min.	45 mm
Weight	0,16 Kg
Dynamic load rating radial (C)	25,1 kN
Dynamic load rating axial (C)	27,4 kN
Static load rating radial (C0)	40,1 kN
Static load rating axial (C0)	81 kN

NBX 3030 Bearing 2D drawings and 3D CAD models