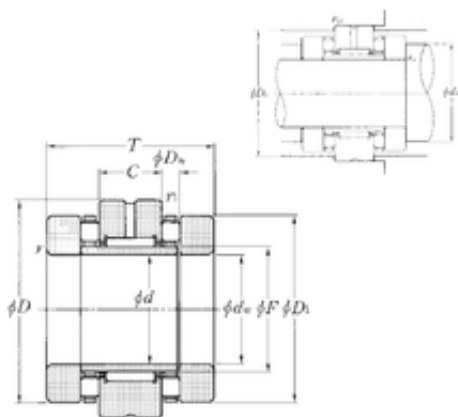


NTN ARN2557T2 Complex bearing unit

Bearing No. ARN2557T2



ARN2557T2 Bearing 2D drawings and 3D CAD models

Bore Diameter	25 mm
Outer Diameter	47 mm
d	25 mm
d1	25 mm
F	30 mm
D	57 mm
D1	47 mm
T	50 mm
C	20 mm
ra1 max.	0,6 mm
r min.	0,6 mm
r1 min.	0,6 mm
Dw	5 mm
da min.	44 mm
Da max.	51 mm
ra max.	0,6 mm
Weight	0,56 Kg
Dynamic load rating radial (C)	22,1 kN
Dynamic load rating axial (C)	27,8 kN
Static load rating radial (C0)	34 kN
Static load rating axial (C0)	72,5 kN
(Grease) Lubrication Speed	1500 r/min